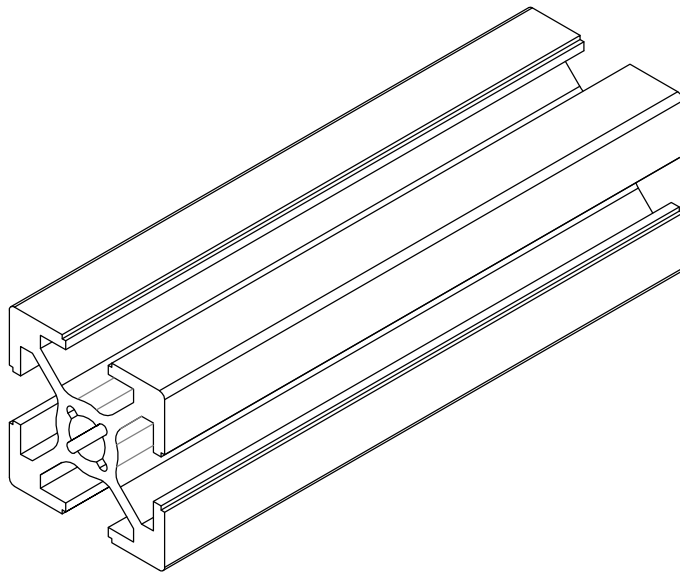
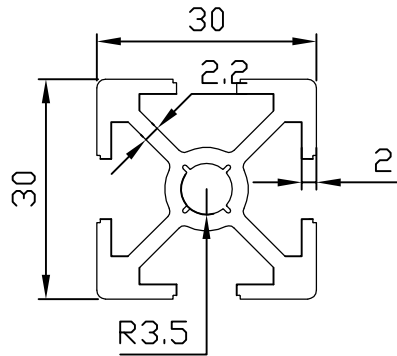


Date	Number	Form Cod
		FR1109-00



SCALE 1 : 1

REV	DESCRIPTION					DATE	APVD
DOCUMENTS:		Designed by	Checked by	Approved by - date	Edition	Date	VYMAND
		Eslami Fard			1	98/06/02	
		PROFILE 30X30H		material	dimension	Scale	
Qty:	Weight:	Tol:	DRAWING_NUMBER:		AL 6063	MM	1:1
1	0.9 Kg	±0.05	PM.30X30H		STD: ISO		