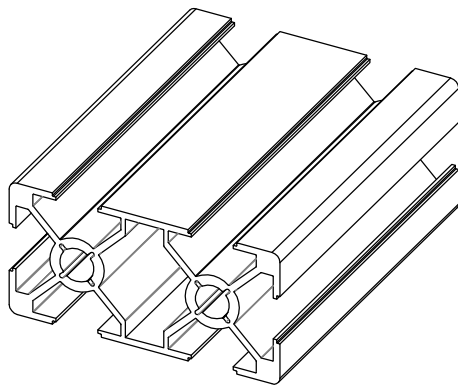
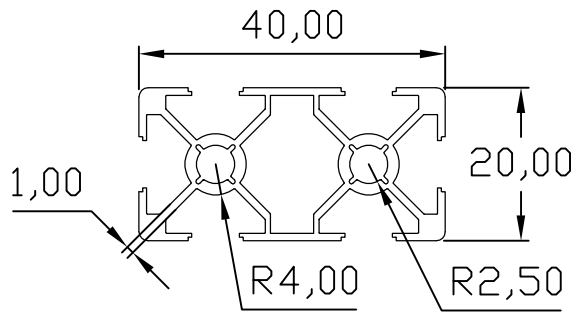


Date	Number	Form Cod



REV	DESCRIPTION					DATE	APVD
	Designed by	Checked by	Approved by - date	Edition	Date		
	Eslami Fard			1	96/06/28		
	<b>PROFILE 20X40</b>			material	dimension		
Qty:				Weight:	Tol:	AL 6063	MM
			DRAWING_NUMBER: PM.20X40.02				