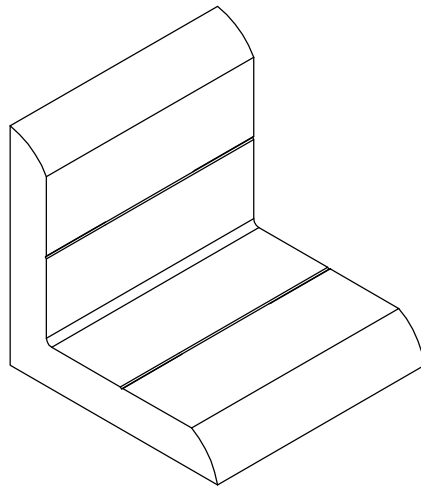
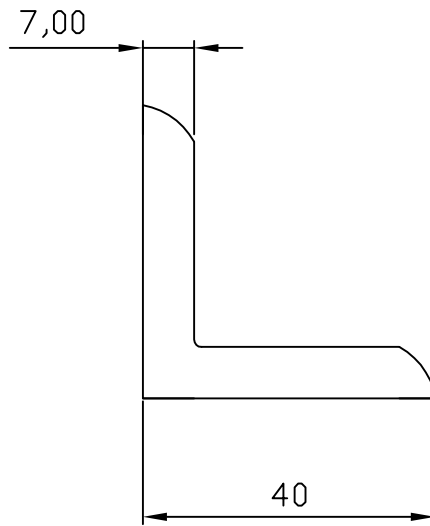



Date	Number	Form Cod



REV	DESCRIPTION					DATE	APVD
	Designed by	Checked by	Approved by - date	Edition	Date	VYMAND  STD: ISO	
	Eslami Fard			1	97/09/10		
ALUMINIUM-EXTRUDED BRACKET40			material	dimension	Scale		
Qty:	Weight:	Tol:	Aluminium	MM	1:1		