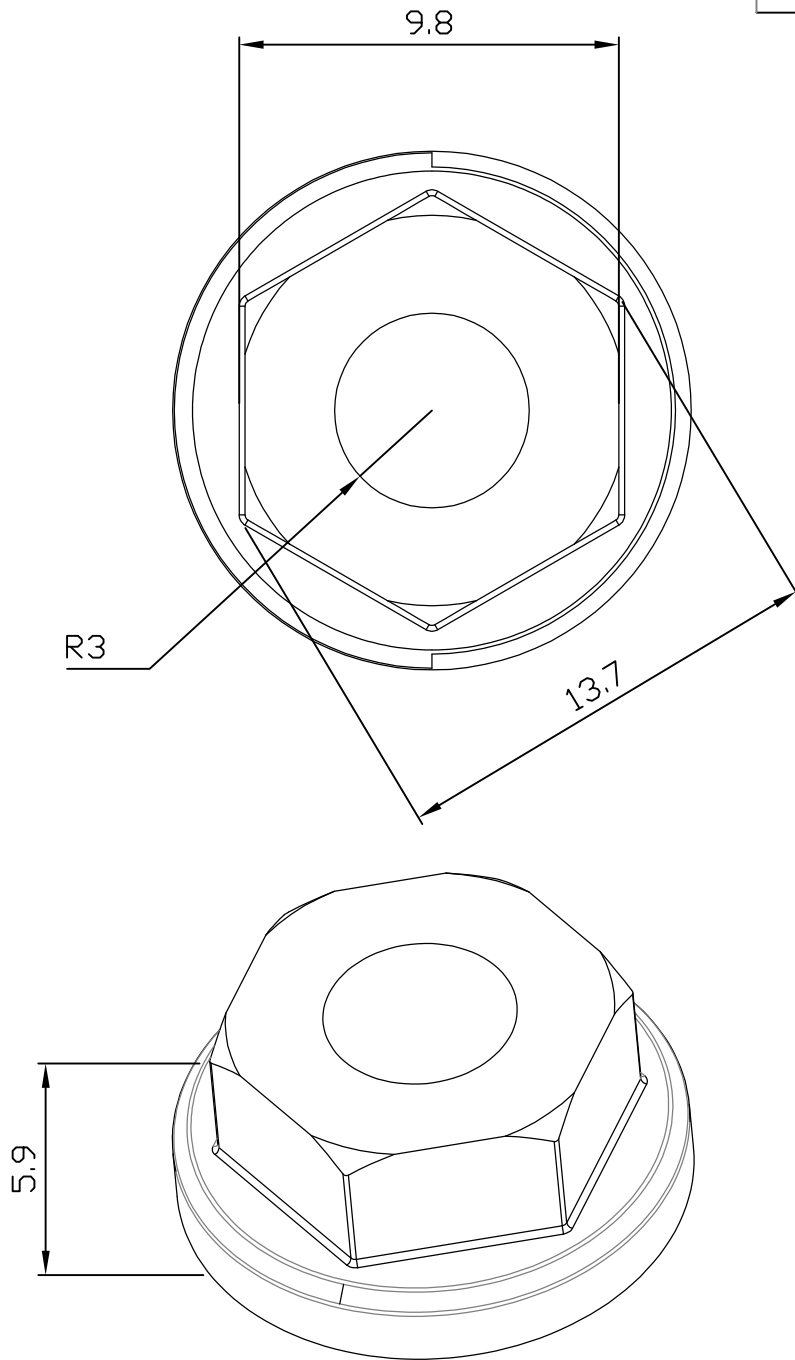


Date	Number	Form Cod



REV	DESCRIPTION					DATE	APVD
	Designed by	Checked by	Approved by - date	Edition	Date	<b>VYMAND</b>	
	Eslami Fard			1	96/09/28		
	<b>FLANGE-NUT SLOT8</b>			material	dimension	Scale	STD: ISO
				Steel	MM	1:1	
Qty:	Weight:	Tol:	DRAWING_NUMBER: FLANGE-NUT-SLOT-8				