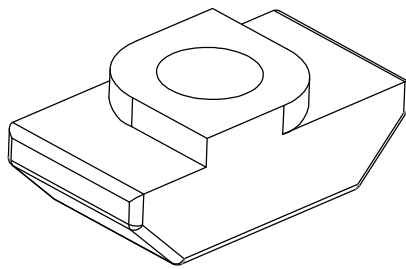
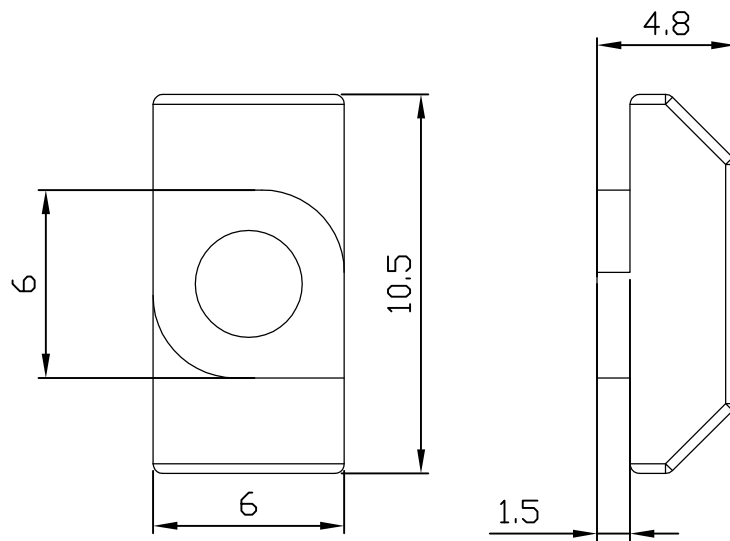


Date	Number	Form Cod



REV	DESCRIPTION					DATE	APVD
	Designed by	Checked by	Approved by - date	Edition	Date	VYMAND	
	Eslami Fard			1	96/09/28		
	T-NUT SLOT6			material	dimension	Scale	STD: ISO
				Steel	MM	1:1	
Qty:	Weight:	Tol:	DRAWING_NUMBER: T-NUT-SLOT6				