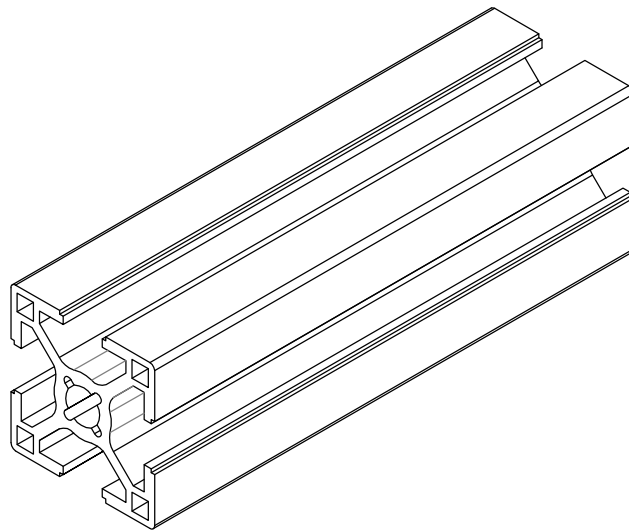
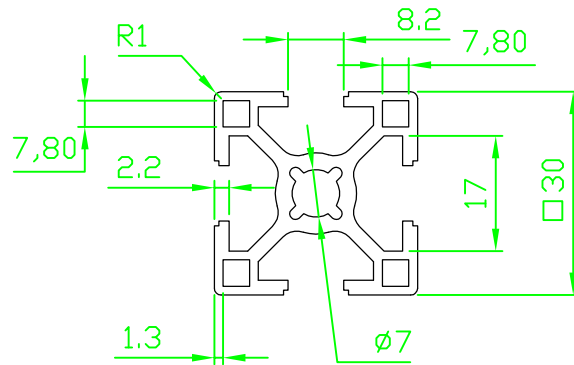




Date	Number	Form Cod
		FR1109-00



SCALE 1 : 1

REV	DESCRIPTION					DATE	APVD
	Designed by	Checked by	Approved by - date	Edition	Date	<b>VYMAND</b>	
	Eslami Fard			1	94/06/02		
	<b>PROFILE 30X30</b>			material	dimension		Scale
Qty:	Weight:	Tol:	DRAWING_NUMBER:			 STD: ISO	
1	5 Kg	±0.05	PM.30X30.03				