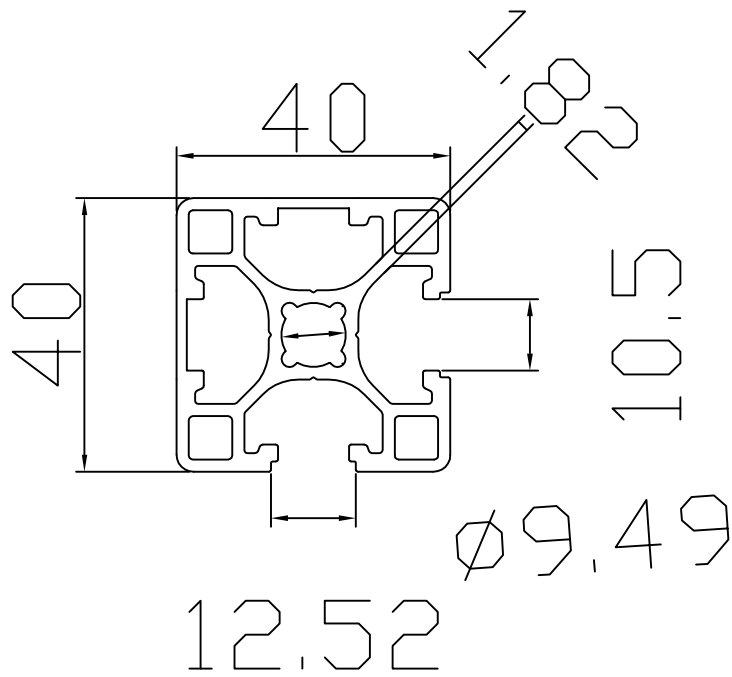


Date	Number	Form Cod



REV	DESCRIPTION					DATE	APVD
	Designed by	Checked by	Approved by - date	Edition	Date	VYMAND	
	Eslami Fard			1	99/04/29		
	PROFILE 40X40-DB			material	dimension	Scale	⌀ STD: ISO
	DRAWING_NUMBER: 40X40DB-MEDIUM			AL 6063	MM	1:1	
Qty:	Weight:	Tol:					